

Technical sheet

Rev. 04 - 02/05/2017 - Mod. 71S - EN

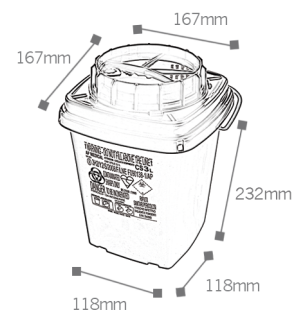
CS 3



GENERAL DATA

Disposable container for sharp and cutting objects disposal Item designed for frequent use (Hospitals, Healthcare Centres, Clinics)

- ▶ **Material:** Plastic material 100 % virgin Polypropylene
- ▶ **Colour:** Yellow body and red lid in order to signal the dangerous content
Materials coloured with masterbatch without heavy metals and cadmium Materials compliant to REACH
- ▶ **Thickness:** 1,9 mm
- ▶ **Shape:** Square base
- ▶ **Weight:** 300 gr.
- ▶ **Max load:** 1,8 Kg.
- ▶ **Nominal capacity:** 3 Lt.
- ▶ **External dimensions:** 167x167x232 H mm (lid assembled)



LOGISTIC DATA:

- ▶ **Pcs per carton:** 50 (body and lid not assembled)
- ▶ **Carton dimensions:** 79x40x35 H cm
- ▶ **Pcs per pallet:** 900 pcs.
- ▶ **Pallet dimensions:** 120x80x226 h cm

CERTIFICATIONS:

- ▶ Compliant to ISO 23907 - Kite Mark
- ▶ Compliant to ADR - UN approved
- ▶ Compliant to FDA K071517
- ▶ Compliant to TRBA 250

INSTRUCTIONS

► Lid assembly:

Put the lid on the body and press first the opposite corners, then the opposite sides. A click will be heard at each pressure, showing the closure of the lid

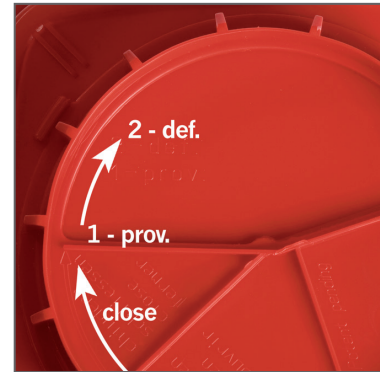


► Temporary closure:

Turn the lid until it clicks once. At this stage closure is temporary

► Permanent closure:

Turn the lid until it clicks again. At this stage, closure is permanent



USE:

- Turn the movable part of the lid clockwise, opening it according to the size of the object to dispose. Close the container permanently.

► Once filled, the containers have to be disposed through incineration, releasing no toxic emissions

► Suitable to autoclave at 134° for 18 min

► Needles removal:

Use the "V" removal device to separate needle and syringe



► Insuline pens removal:

Use the "marguerite" device to unscrew the insulin pen



► large opening in order to ease the disposal of needles, scalpels, test-tubes, etc



► **Available holders:**

Wall trolley bracket with grabs



Plastic trolley holder



Suction cup plastic holder



SAFETY INFORMATION:

- Use the product only with the appropriate lid
- Do not use the product before fitting the lid
- Do not attempt to rescue objects already in the container
- Respect the filling level indicated: 80% of real capacity
- Do not try to open the container once permanently and irreversibly sealed
- Container to dispose according to the existing law
- Follow the instructions of use to ensure the safety of the container
- Use handles to move the container

ADVANTAGES:

- Lid provided with safe closure device, permanent closure, prevents from waste reflux
- Easy to use and to handle
- Sharp and cutting objects resistant
- Handles available
- Lid provided with needles removal devices
- Suitable to autoclave
- Maximum filling level indicated
- Several holders available
- Irreversible permanent closure
- To be disposed through incineration, releasing no toxic emissions