

Technical Sheet

Rev. 00 - 28/10/2015 - Mod. 73A - EN

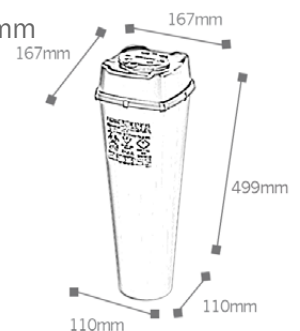
CS 7 PLUS



GENERAL DATA

Disposable container for sharp and cutting objects. Model designed for the disposal of particularly long waste (chest drains, clamps and biopsy needles....)

- ▶ **Material:** Plastic material 100 % virgin Polypropylene
- ▶ **Colour:** Yellow body and red lid in order to signal the dangerous content. Materials coloured with masterbatch without heavy metals and cadmium. Materials compliant to REACH
- ▶ **Thickness:** Bottom and sides: 2,0 mm - Lid and closure: 2,0 mm
- ▶ **Shape:** Rectangular
- ▶ **Weight:** 520 gr.
- ▶ **Max Load:** 3.600 gr.
- ▶ **Nominal capacity:** 7,00 Lt.
- ▶ **External dimensions:** 167x167x499 H mm (lid assembled)



LOGISTIC DATA:

- ▶ **Pcs per carton:** 29 (body and lid not assembled)
- ▶ **Carton dimensions:** 79x40x35 H cm
- ▶ **Pcs per pallet:** 522 pcs.
- ▶ **Pallet dimensions:** 120x80x222 h cm

CERTIFICATIONS:

- ▶ Compliant to AFNOR NF X-30-500
- ▶ NF Mark
- ▶ Compliant to ADR - UN approved
- ▶ Kite Mark - Compliant to ISO 23907
- ▶ FDA K071517
- ▶ TRBA 250

INSTRUCTIONS

► Lid Assembly:

Place the opening of the lid above the label and press firmly on the opposite corners clicking all the joints and after on the opposite sides.



► Temporary closure:

Lower the lid holding the tongue on «1PROV», then push the tongue to block the edge

► At this stage closure is temporary



► Permanent closure:

Place the lid in temporary closure and press firmly on the four «2DEF» in succession from one side to the other. At this stage, closure is permanent



► Needles removal:

Use the "V" removal device to separate needles and syringes

Use the "marguerite" device to unscrew the insulin pen



USE:

- ▶ During use, close the cap in temporary closure position
- ▶ Close permanently once full
- ▶ Large opening to ease the disposal of scalpels, test tubes, etc
- ▶ Suitable to autoclave at 134° for 18 minutes
- ▶ Once filled, the containers have to be disposed through incineration, releasing no toxic emissions

▶ Holders:

Inclined holder



Wall trolley bracket with grabs



SAFETY INFORMATION:

- ▶ Use the product only with the appropriate lid
- ▶ Do not use the product before fitting the lid
- ▶ Do not attempt to rescue objects already in the container
- ▶ Respect the filling level indicated: 80% of real capacity
- ▶ Do not try to open the container once permanently and irreversibly sealed
- ▶ Container to dispose according to the existing law
- ▶ Follow the instructions of use to ensure the safety of the container
- ▶ Use handles to move the container

ADVANTAGES:

- ▶ Lid provided with safe closure device, permanent closure, prevents from waste reflux
- ▶ Easy to use and to handle
- ▶ Sharp and v objects resistant
- ▶ Handles available
- ▶ Lid provided with needles removal devices
- ▶ Suitable to autoclave (compliant to NFX 30-500 even after sterilization)
- ▶ Maximum filling level indicated
- ▶ Several holders available
- ▶ Irreversible permanent closure
- ▶ To be disposed through incineration, releasing no toxic emissions