



## FFP2 Particle Filtering Half Mask

REF 84468

### Product description

FFP2 Particle Filtering Half mask, respiratory protective device	
Colour	White
Specification	4-layer (PP/meltblown/meltblown/PP)
Packaging	Packed per 5 pcs in a printed pouch
CE Mark	Yes (2834)
Latex free	Yes
Classification	Complies to EN149 :2001 + A1 :2009 Regulation (EU) 2016/425

### Product code

Product code	Reference supplier	Number of masks per pouch	Number of pouches per box
84468	ZSFM-01	5x	100x (500pcs masks)

## **FFP2 Folded Face Mask**

### **Product Description:**

FFP2 Folded Face Mask

REF: ZSFM-01

### **CE Certificate:**

CE No: 2834

Product Scope: Filtering half mask, respiratory protective device, to protect against particles.

Notify Body: CCQS Certification Services Limited, Registered in Ireland as a Limited Company  
No.623897 at Block1, Blanchardstown Corporate Park, Ballycoolin Rd., Blanchardstown, Dublin 15,  
D15 AKK1 Ireland

### **Intended Use:**

Non-reusable filtering half mask for protection against particles.

### **Characteristic:**

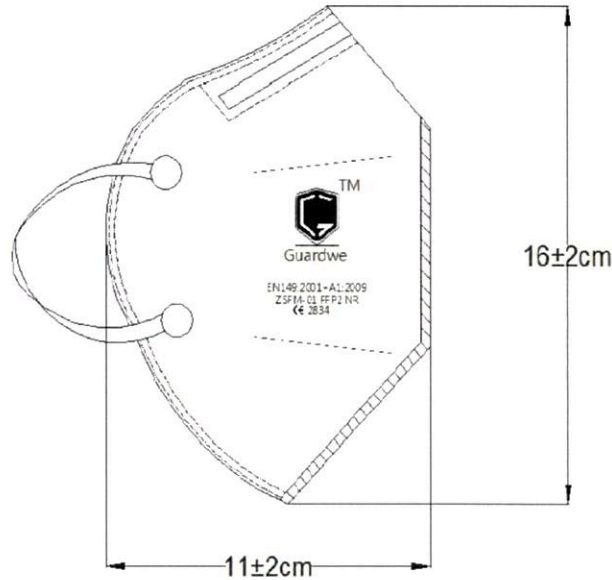
Clean room compatible  
Comfortable design for wearer  
Low breathing resistance  
Adjustable nose bridge  
Latex free ear loop

### **Specification:**

Material: 4 layers.

Outer layer:	60gsm PP-spunbonded polypropylene
Filter media 1:	28gsm melt-blown polypropylene
Filter media 2:	28gsm melt-blown polypropylene
Inner layer:	45gsm PP-spunbonded polypropylene
Nose piece:	Plastic
Ear loop:	Spandex (natural rubber latex free)
Color:	white
Filtration efficiency:	>95%
Penetration (EN149:2001+A1:2009)	<4%
Resistance (EN149:2001+A1:2009)	<22mmH <sub>2</sub> O
Ear loop bonding strength	>10N

**Drawing & Dimension**



**Package & Shelf Life:**

Package: 5pcs/bag, 5 00pcs/case.  
Storage Condition: room temperature, dry and shady  
Shelf life: 3 years

**Quality Assurance criteria:**

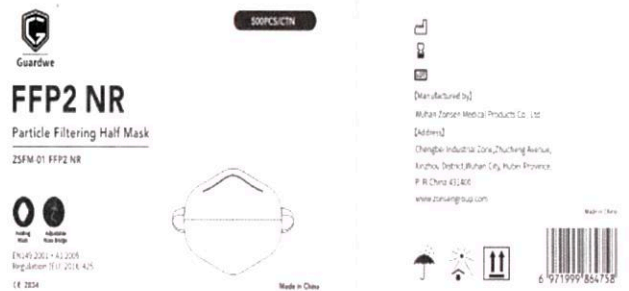
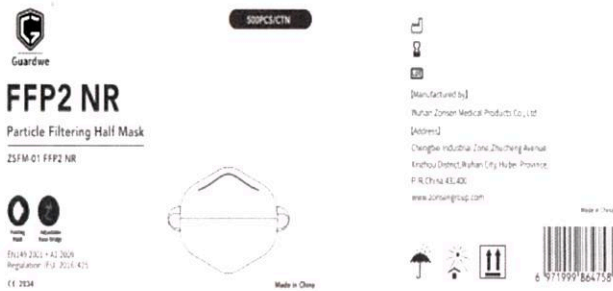
FFP2 masks are guaranteed to meet 4.0 AQL lever II sampling plan per MIL-std-150E for the following defect criteria.

1. Foreign material
2. Color variation
3. Holes/tears
4. Odor
5. Stain/dirt
6. Physical dimensions non-compliance.

**Modes of Packing:**

5pcs/bag, 5 00pcs/ctn Carton  
size: 4 2 x 33 x 30cm  
N. W.: 3 kg  
G. W.: 4 kg

Package:



Actual Photo:

