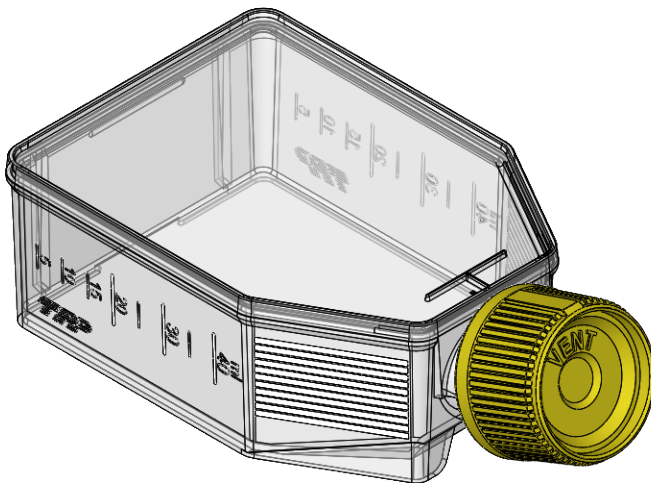
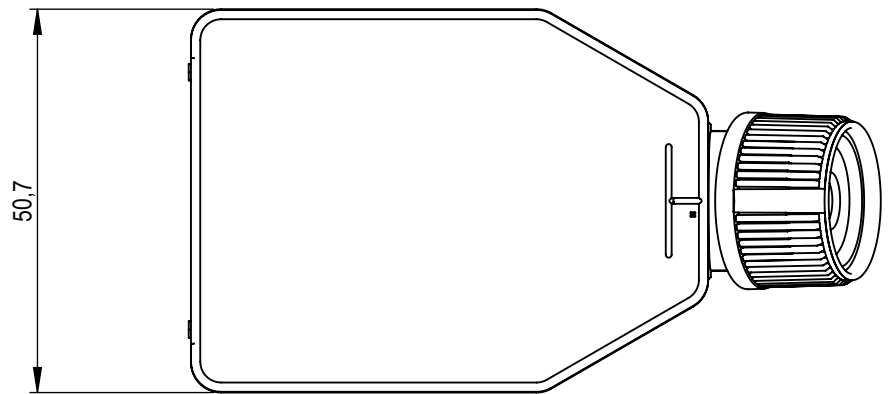
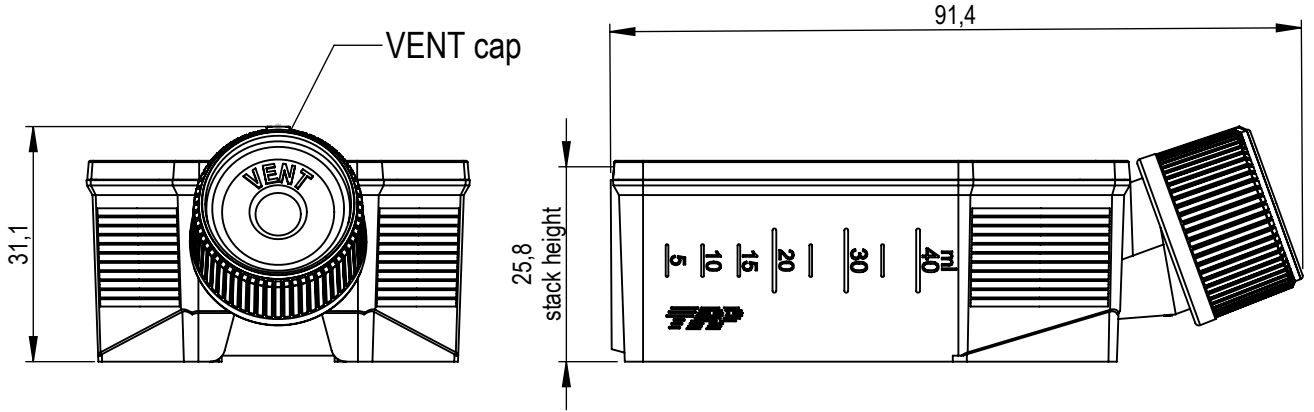


| INDEX | DESCRIPTION | DATE | SIG. |
|-------|-------------|------|------|
| | | | |
| | | | |
| | | | |

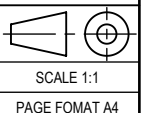


| | | | |
|-------------|---------------|-----------------------------------|---------------------------|
| Polystyrene | crystal clear | 25 | 15 |
| MATERIAL | COLOR | GROWTH SURFACE (cm ²) | VOLUME (cm ³) |

THIS DOCUMENT IS OUR PROPERTY AND MAY NOT BE REPRODUCED OR MADE ACCESSIBLE TO THIRD PARTY.

Tissue Culture Flask 25cm² VENT

GENERAL TOLERANCES
DIN 16742



TPP Techno Plastic Products AG
Zollstrasse 7
CH-8219 Trasadingen

| | | | | |
|---------|-------|------------|------------------|-------|
| DRAWN | Admin | 23.09.2017 | K00-90025 | - |
| RELEASE | ms | 17.05.2018 | | |
| | | | DRAWING NO. | INDEX |