

Technical Sheet

Rev 01 del 10/01/2019 - Mod.74_A2_EN

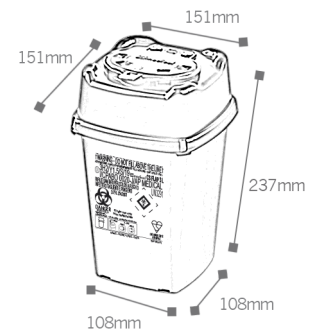
CS 3 FLAP



GENERAL DATA

Disposable container for sharp and cutting objects. Item designed for frequent use (Hospitals, Healthcare Centres, Clinics)

- ▶ **Material:** Plastic material 100 % virgin Polypropylene
- ▶ **Colour:** Yellow body and red lid in order to signal the dangerous content. Materials coloured with masterbatch without heavy metals and cadmium. Materials compliant to REACH
- ▶ **Shape:** Square base
- ▶ **Weight:** 286 gr.
- ▶ **Max Load:** 1.500 gr.
- ▶ **Nominal capacity:** 3,00 Lt.
- ▶ **External dimensions:** 151x151x238 H mm (lid assembled)



LOGISTIC DATA:

- ▶ **Pcs per carton:** 50 (body and lid not assembled)
- ▶ **Carton dimensions:** 79x40x35 H cm
- ▶ **Pcs per pallet:** 900 pcs.
- ▶ **Pallet dimensions:** 120x80x222 h cm

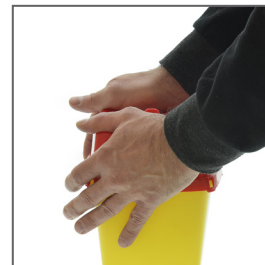
CERTIFICATIONS:

- ▶ Compliant to AFNOR NF X-30-511
- ▶ Compliant to Marque NF
- ▶ Compliant to ADR -UN approved
- ▶ Compliant to ISO 23907 Kite Mark
- ▶ Compliant to TRBA 250

INSTRUCTIONS

► Lid Assembly:

Place the opening of the lid above the label and press firmly on the opposite corners clicking all the joints and after on the opposite sides.



► Temporary closure:

Lower the lid holding the tongue on «1PROV», then push the tongue to block the edge

► At this stage closure is temporary



► Permanent closure:

Place the lid in temporary closure and press firmly on the two central «1 DEF» and after on the «2 DEF». At this stage, closure is permanent.



► Needles removal:

Use the «V» removal device to separate needles and syringes

Use the «marguerite» device to unscrew the insulin pen

Scalpel blades and cutting objects



USE:

- ▶ During use, close the cap in temporary closure position
- ▶ Close permanently once full
- ▶ Large opening to ease the disposal of scalpels, test tubes, etc
- ▶ Suitable to autoclave at 134° for 18 minutes
- ▶ Once filled, the containers have to be disposed through incineration, or following national regulations

Plastic trolley holder



Wall trolley bracket with grabs



Plastic table tray



Fastening Adapter



SAFETY INFORMATION:

- ▶ Use the product only with the appropriate lid
- ▶ Do not use the product before fitting the lid
- ▶ Do not attempt to rescue objects already in the container
- ▶ Respect the filling level indicated: max. 85 % of real capacity
- ▶ Do not try to open the container once permanently and irreversibly sealed
- ▶ Container to dispose according to the existing law
- ▶ Follow the instructions of use to ensure the safety of the container
- ▶ Use handles to move the container

ADVANTAGES:

- ▶ Lid provided with safe closure device, permanent closure
- ▶ Easy to use and to handle
- ▶ Sharps and cutting objects resistants
- ▶ Handles available
- ▶ Lid provided with needles removal devices
- ▶ Suitable to autoclave (compliant to NFX 30-511 even after sterilization)
- ▶ Maximum filling level indicated
- ▶ Several holders available
- ▶ Irreversible permanent closure

FLAP SYSTEM

- ▶ Maximum safety: during use (in temporary opening), in the event of accidental overturning, the flap system blocks the leakage of objects already inside the bin

