

# Dispensing Taps

## Series AH (1/2)

**Ready, steady, flow**

Series AH 13 and 23 mm – easy, fast and clean



### Application examples

#### Decanting especially of:

- Liquid food
- Hygiene and care products
- Cleaners
- Agrochemicals
- Engine and gear oils
- Industrial chemicals



### Scope of application

The innovative FLUXX® Dispensing Taps perfectly facilitate the easy, fast and clean decanting of liquids without gurgling. Series AH 13 supports the accurate and clean dosing – especially in bottles with small threaded necks. Series AH 23 is designed to support the dosing of large amounts of liquids within a short period of time.

### Broad product portfolio

Our FLUXX® Dispensing Taps are suitable for all containers – bottles, canisters, drums and IBC's – with an external thread ranging from DIN 38 to DIN 71 as well as plastic and steel drums with an ¾" and 2" internal thread.

### Unique ventilation system

The outstanding flow properties are based on the unique ventilation system from SABEU. Thanks to this, FLUXX® Dispensing Taps AH 13 series have a flow rate of 1.5 L / min at the minimum. The AH 23 series even have a flow rate higher than 5 L / min.

### No leaking

FLUXX® Dispensing Taps have a high impermeability even with aggressive chemicals and strongly seeping liquids.

### Benefits

- Easy, fast and clean dispensing without gurgling
- Available for all common thread sizes
- Drip-off edge for convenient and clean dosing – even in narrow bottle necks
- Smooth moving lever for easy operability
- High flow rates
- Resistance to a multitude of chemicals
- Declaration of food conformity

### Declaration of food conformity

Upon request, our products are available with regulations EU no. 10/2011, EC no. 1935/2004, LFGB, FDA as well as Mercosur – inspected and approved by certified testing institutes.

### Series AH 13

### Series AH 23

Materials	Series AH 13	Series AH 23
Polyethylene (PE)	Housing, cover cap, reducing cap, adapter	Housing, cover cap, adapter, sealing ring for plug, "cap nut AH 23/63"
Polypropylene (PP)	Lever, cap nut	Lever, cap nut, plug
EPE	Sealing ring for cap nut	Sealing rings for adapter and cap nut
EPDM		Sealing ring for "cap nut AH 23/63"

Colors	Series AH 13	Series AH 23
Red / Black	Cap nut	Cap nut
Red	Lever, cover cap	Lever, cover cap
Natural	Housing, adapter, reducing cap	Housing, adapter, plug, "cap nut AH 23/63"

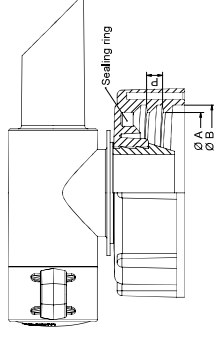
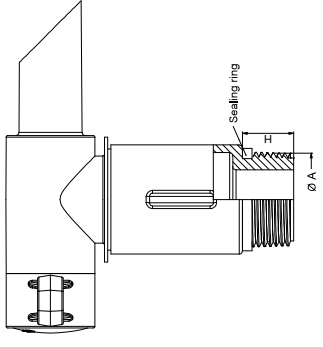
Characteristics	Series AH 13	Series AH 23
Flow rate	≥ 1,5 L / min	≥ 5 L / min
Outlet spout diameter	13 mm	23 mm
Thread sizes	DIN 38 to DIN 61	DIN 45 to DIN 71 and for drums with ¾" and 2" thread



### Chemical resistance

Our products achieve a high chemical resistance to many liquids. However, we cannot guarantee comprehensive chemical resistance of specific applications. Therefore, we recommend individual testing of customer applications prior to use – with the support of our experts.

# Dispensing Taps Series AH (2/2)



## Product portfolio AH 13

Description	Picture	Item number	Quantity per carton	Dimensions
AH 13/38 for DIN 38 thread		402 144	750 pcs.	Ø A = 36.1 mm / Ø B = 37.9 mm P = 3 mm (Thread pitch)
AH 13/40 for DIN 40 thread		403 133	750 pcs.	Ø A = 38.8 mm / Ø B = 42.2 mm P = 4 mm (Thread pitch)
AH 13/45 for DIN 45 thread		404 133	650 pcs.	Ø A = 41.0 mm / Ø B = 44.6 mm P = 4 mm (Thread pitch)
AH 13/50 for DIN 50 thread		405 232	250 pcs.	Ø A = 46.1 mm / Ø B = 50.1 mm P = 4 mm (Thread pitch)
AH 13/51 for DIN 51 thread		405 133	250 pcs.	Ø A = 50.2 mm / Ø B = 54.8 mm P = 5 mm (Thread pitch)
AH 13/61 for DIN 61 thread		406 133	200 pcs.	Ø A = 55.6 mm / Ø B = 60.5 mm P = 6 mm (Thread pitch)

Customizations upon request.

## Product portfolio AH 23

Description	Picture	Item number	Quantity per carton	Dimensions
AH 23/45 for DIN 45 thread		410 124	350 pcs.	Ø A = 41.1 mm / Ø B = 45.1 mm P = 4 mm (Thread pitch)
AH 23/50 for DIN 50 thread		410 224	275 pcs.	Ø A = 46.1 mm / Ø B = 50.1 mm P = 4 mm (Thread pitch)
AH 23/51 for DIN 51 thread		407 124	250 pcs.	Ø A = 50.2 mm / Ø B = 54.8 mm P = 5 mm (Thread pitch)
AH 23/61 for DIN 61 thread		408 124	200 pcs.	Ø A = 55.6 mm / Ø B = 60.5 mm P = 6 mm (Thread pitch)
AH 23/63 for DIN 63 thread		410 426	150 pcs.	Ø A = 60.7 mm / Ø B = 64.5 mm P = 4.2 mm (Thread pitch)
AH 23/71 for DIN 71 thread		410 320	125 pcs.	Ø A = 67.0 mm / Ø B = 72.3 mm P = 7 mm (Thread pitch)
AH 23/ 3/4" with 3/4" external thread		409 120	250 pcs.	Ø A = R 3/4" BSP thread ↑ H = 16 mm
AH 23/ 3/4" on 2" Mauser thread		409 220 - Rough thread	175 pcs.	Ø A = R 3/4" on S 70x6 rough thread
AH 23/ 3/4" on 2" Trisure thread		409 320 - Rough thread 409 420 - Fine thread	175 pcs.	Ø A = R 3/4" on 2" PPS rough or fine thread
Protective cap AH 23		999 008	Upon request	Suitable for all Dispensing Taps AH 23

Customizations upon request.