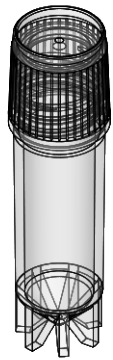
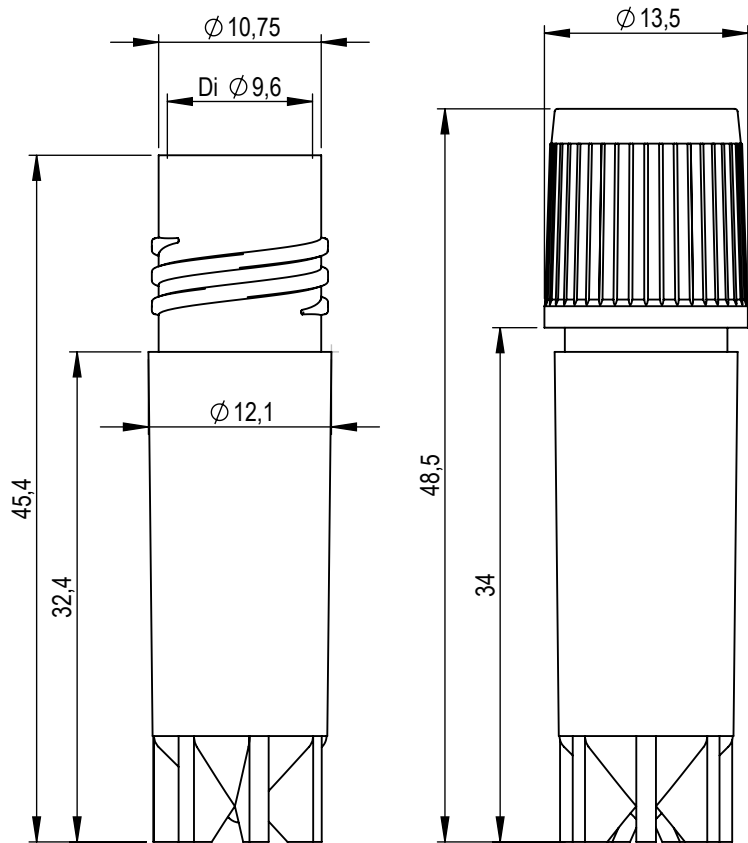


VERSION	CHANGE DESCRIPTION	DATE	SIGN
A	neu bemast Pos. Druckbid hinzu	17.10.2019	rsc



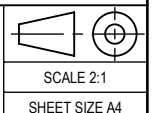
PP	transparent		2	0.002
MATERIAL	COLOR	GROWTH SURFACE (cm²)	VOLUME (cm³)	WEIGHT (g)

THIS DOCUMENT IS OUR PROPERTY AND MAY NOT BE REPRODUCED OR MADE ACCESSIBLE TO THIRD PARTY

Cryo Tube 2ml
Volume Recom. (ml) max. 1.3

GENERAL TOLERANCES:
DIN 16742-TG3

SURFACE SPECIFICATIONS:
ISO 1302



 TPP Techno Plastic Products AG Zollstrasse 7 CH-8219 Trasadingen	DRAWN	Admin	20.09.2017	K00-89020	A
	RELEASED	ms	23.10.2019		