

## Technical sheet

Rev 04 - 14/05/2020 - Mod. 71\_R\_EN

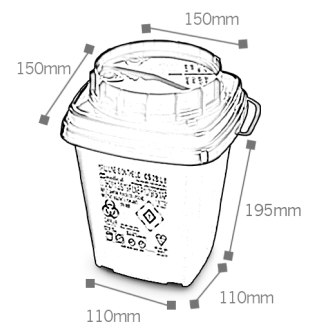
## CS 2 B



### GENERAL DATA

**Disposable container for sharp and cutting objects disposal Item designed for frequent use (Hospitals, Healthcare Centres, Clinics)**

- ▶ **Material:** Plastic material 100 % virgin Polypropylene
- ▶ **Colour:** Yellow body and red lid in order to signal the dangerous content  
Materials coloured with masterbatch without heavy metals and cadmium Materials compliant to REACH
- ▶ **Shape:** Square base
- ▶ **Weight:** 224 gr.
- ▶ **Max load:** 1,2 Kg.
- ▶ **Nominal capacity:** 2 Lt.
- ▶ **External dimensions:** 150x150x195 H mm (lid assembled)



### LOGISTIC DATA:

- ▶ **Pcs per carton:** 60 (body and lid not assembled)
- ▶ **Carton dimensions:** 79x40x35 H cm
- ▶ **Pcs per pallet:** 1080 pcs.
- ▶ **Pallet dimensions:** 120x80x222 h cm

### CERTIFICATIONS:

- ▶ ISO 23907-1 Perforation & Toppling
- ▶ Compliant to ADR - UN approved
- ▶ Compliant to FDA K071517
- ▶ Compliant to TRBA 250

## INSTRUCTIONS

### ► Lid assembly:

Put the lid on the body and press first the opposite corners, then the opposite sides.

A click will be heard at each pressure, showing the closure of the lid

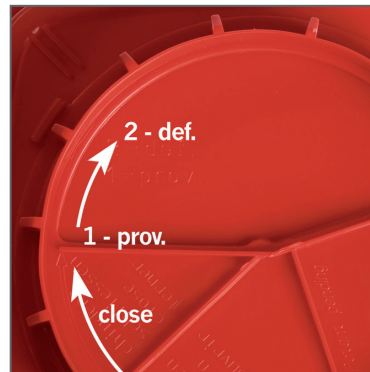


### ► Temporary closure:

Turn the lid until it clicks once. At this stage closure is temporary

### ► Permanent closure:

Turn the lid until it clicks again. At this stage, closure is permanent



### USE:

- Turn the movable part of the lid clockwise, opening it according to the size of the object to dispose. Close the container permanently.

► Once filled, the containers have to be disposed through incineration, releasing no toxic emissions

► Suitable to autoclave at 134° for 18 min

### ► Needles removal:

Use the "V" removal device to separate needle and syringe



### ► Insuline pens removal:

Use the "marguerite" device to unscrew the insulin pen



► large opening in order to ease the disposal of needles, scalpels, test-tubes, etc



► **Available holders:**

Wall trolley bracket with grabs



Special plastic tray for CS 2 LT Sharps Container



Plastic trolley holder



Suction cup plastic holder



**SAFETY INFORMATION:**

- Use the product only with the appropriate lid
- Do not use the product before fitting the lid
- Do not attempt to rescue objects already in the container
- Respect the filling level indicated: 80% of real capacity
- Do not try to open the container once permanently and irreversibly sealed
- Container to dispose according to the existing law
- Follow the instructions of use to ensure the safety of the container
- Use handles to move the container

**ADVANTAGES:**

- Lid provided with safe closure device, permanent closure, prevents from waste reflux
- Easy to use and to handle
- Sharp and cutting objects resistant
- Handles available
- Lid provided with needles removal devices
- Suitable to autoclave
- Maximum filling level indicated
- Several holders available
- Irreversible permanent closure
- To be disposed through incineration, releasing no toxic emissions