

## CS PLUS 5 ECO



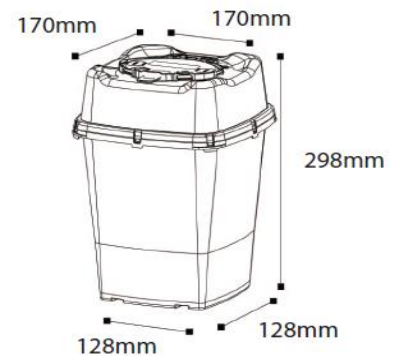
dati CS PLUS 5

### DESCRIPTION

Disposable container for sharp and cutting objects. Item designed for frequent use (Hospitals, Healthcare Centres, Clinics)

### GENERAL DATA

- ▶ Material: Plastic: 65% of recycled polypropylene
- ▶ Colour: Yellow body in order to signal the dangerous content, white lid. Materials coloured with masterbatch without heavy metals and cadmium. Materials compliant to REACH
- ▶ Shape: CS PLUS 5
- ▶ Weight: 350 g
- ▶ Max Load: 1,80 kg
- ▶ Nominal capacity: 5,00 L
- ▶ Real capacity: 4,58 L
- ▶ Useful capacity: 3,90 L
- ▶ External dim.: 17 x 17 x 29,8 H cm (lid assembled)



### LOGISTIC DATA

- ▶ Pcs per carton: 40 (body and lid not assembled)
- ▶ Carton dimensions: 79 x 40 x 36,5 H cm
- ▶ Pcs per pallet: 720 pz
- ▶ Pallet dimensions: 120x80x231 H cm

### CERTIFICATIONS:

- ▶ Compliant to NF mark



- ▶ Compliant to ISO 23907-1:2019 Kite Mark



- ▶ Compliant to ADR/UN REC



## INSTRUCTIONS

### Lid assembly:

Place the opening of the lid above the label and press firmly on the opposite corners clicking all the joints and after on the opposite sides.



### Temporary closure:

Lower the lid holding the tongue on «1PROV», then push the tongue to block the edge. At this stage closure is temporary



### Permanent closure:

Place the lid in temporary closure and press firmly on the two central «1 DEF» and after on the «2 DEF». At this stage, closure is permanent.



### Needles removal:

Use the «V» removal device to separate needles and syringes



Use the «marguerite» device to unscrew the insulin pen



## INSTRUCTIONS

### Holders:

Suction pad support



Plastic trolley holder



Wall trolley bracket with grabs



Plastic table tray



### USE:

- ▶ During use, close the cap in temporary closure position
- ▶ Close permanently once full
- ▶ Large opening to ease the disposal of scalpels, test tubes, etc
- ▶ Suitable to autoclave at 134°C for 18 minutes
- ▶ Once filled, the containers have to be disposed through incineration, or following national regulations

### SAFETY INFORMATION:

- ▶ Use the product only with the appropriate lid
- ▶ Do not use the product before fitting the lid
- ▶ Do not attempt to rescue objects already in the container
- ▶ Respect the filling level indicated: max. 85% of real capacity
- ▶ Do not try to open the container once permanently and irreversibly sealed
- ▶ Container to dispose according to the existing law
- ▶ Follow the instructions of use to ensure the safety of the container
- ▶ Use handles to move the container

### ADVANTAGES:

- ▶ Lid provided with safe closure device, permanent closure
- ▶ Easy to use and to handle
- ▶ Sharps and cutting objects resistant
- ▶ Handles available
- ▶ Lid provided with needles removal devices
- ▶ Suitable to autoclave
- ▶ Maximum filling level indicated
- ▶ Several holders available
- ▶ Irreversible permanent closure