

## CS PLUS 22 ECO



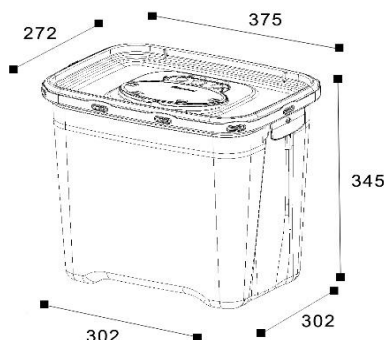
dati CS PLUS 22

### DESCRIPTION

Disposable container for sharp and cutting objects. Item designed for frequent use (Hospitals, Healthcare Centres, Clinics)

### GENERAL DATA

▶ Material:	Plastic: 60% of recycled polypropylene
▶ Colour:	Yellow body in order to signal the dangerous content, white lid. Materials coloured with masterbatch without heavy metals and cadmium. Materials compliant to REACH
▶ Shape:	Square base
▶ Weight:	1100 g
▶ Max Load:	3,50 kg
▶ Nominal capacity:	22,00 L
▶ Real capacity:	21,10 L
▶ Useful capacity:	17,80 L
▶ External dim.:	37,5 x 27,2 x 34,5 H cm (lid assembled)



### LOGISTIC DATA

▶ Pcs per carton:	10 (body and lid not assembled)
▶ Carton dimensions:	39,2 x 28,7 x 105 H cm
▶ Pcs per pallet:	160 pz
▶ Pallet dimensions:	120x80x235 H cm

### CERTIFICATIONS:

▶ Compliant to ISO 23907-1:2019 Kite Mark



▶ Compliant to ADR/UN REC



## INSTRUCTIONS

### Lid assembly:

Place the opening of the lid above the label and press firmly on the opposite corners clicking all the joints and after on the opposite sides.



### Temporary closure:

Lower the lid holding the tongue on «1PROV», then push the tongue to block the edge. At this stage closure is temporary



### Permanent closure:

Place the lid in temporary closure and press firmly on the two central «1 DEF» and after on the «2 DEF». At this stage, closure is permanent.



### Needles removal:

Use the «V» removal device to separate needles and syringes



Use the «marguerite» device to unscrew the insulin pen

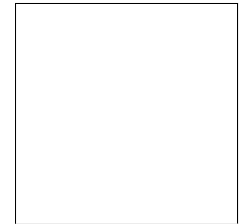
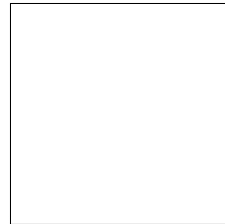


## INSTRUCTIONS

### HOLDERS:

Wall/trolley  
bracket with  
grabs

Metal trolley



### USE:

- ▶ During use, close the cap in temporary closure position
- ▶ Close permanently once full
- ▶ Large opening to ease the disposal of scalpels, test tubes, etc
- ▶ Suitable to autoclave at 134°C for 18 minutes
- ▶ Once filled, the containers have to be disposed through incineration, or following national regulations

### SAFETY INFORMATION:

- ▶ Use the product only with the appropriate lid
- ▶ Do not use the product before fitting the lid
- ▶ Do not attempt to rescue objects already in the container
- ▶ Respect the filling level indicated: max. 85% of real capacity
- ▶ Do not try to open the container once permanently and irreversibly sealed
- ▶ Container to dispose according to the existing law
- ▶ Follow the instructions of use to ensure the safety of the container
- ▶ Use handles to move the container

### ADVANTAGES:

- ▶ Lid provided with safe closure device, permanent closure
- ▶ Easy to use and to handle
- ▶ Sharps and cutting objects resistants
- ▶ Handles available
- ▶ Lid provided with needles removal devices
- ▶ Suitable to autoclave
- ▶ Maximum filling level indicated
- ▶ Several holders available
- ▶ Irreversible permanent closure