

Technical Sheet

Rev. 02 of 06/02/2020 - Mod. 73-A6_EN

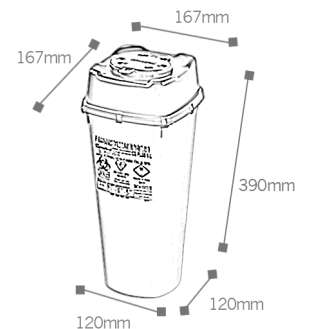
CS PLUS 6



GENERAL DATA

Disposable container for sharp and cutting objects. Model designed for the disposal of particularly long waste (chest drains, clamps and biopsy needles....)

- ▶ **Material:** Plastic material 100 % virgin Polypropylene
- ▶ **Colour:** Yellow body and red lid in order to signal the dangerous content. Materials coloured with masterbatch without heavy metals and cadmium. Materials compliant to REACH
- ▶ **Shape:** Square base
- ▶ **Weight:** 443 gr.
- ▶ **Max Load:** 3.000 gr.
- ▶ **Nominal capacity:** 6,00 Lt.
- ▶ **Real capacity:** 5,78 Lt.
- ▶ **Useful capacity:** 4,62 Lt.
- ▶ **External dimensions:** 167x167x388 H mm (lid assembled)



LOGISTIC DATA:

- ▶ **Pcs per carton:** 36 (body and lid not assembled)
- ▶ **Carton dimensions:** 79x40x42 H cm
- ▶ **Pcs per pallet:** 540 pcs.
- ▶ **Pallet dimensions:** 120x80x222 h cm

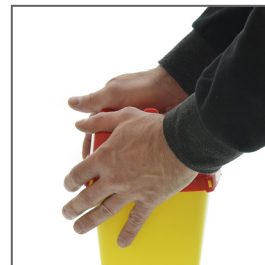
CERTIFICATIONS:

- ▶ Compliant to AFNOR NF X-30-511
- ▶ Compliant to NF Mark
- ▶ Compliant to ADR -UN approved
- ▶ Compliant to ISO 23907-1 - Kite Mark
- ▶ Compliant to TRBA 250

INSTRUCTIONS

► Lid Assembly:

Place the opening of the lid above the label and press firmly on the opposite corners clicking all the joints and after on the opposite sides.



► Temporary closure:

Lower the lid holding the tongue on «1PROV», then push the tongue to block the edge

► At this stage closure is temporary



► Permanent closure:

Place the lid in temporary closure and press firmly on the two central «1 DEF» and after on the «2 DEF».

At this stage, closure is permanent.



► Needles removal:

Use the «V» removal device to separate needles and syringes

Use the «marguerite» device to unscrew the insulin pen



USE:

- ▶ During use, close the cap in temporary closure position
- ▶ Close permanently once full
- ▶ Large opening to ease the disposal of scalpels, test tubes, etc
- ▶ Suitable to autoclave at 134° for 18 minutes
- ▶ Once filled, the containers have to be disposed through incineration, or following national regulations

▶ Holders:

Inclined holder



Wall trolley bracket with grabs



SAFETY INFORMATION:

- ▶ Use the product only with the appropriate lid
- ▶ Do not use the product before fitting the lid
- ▶ Do not attempt to rescue objects already in the container
- ▶ Respect the filling level indicated: max. 85 % of real capacity
- ▶ Do not try to open the container once permanently and irreversibly sealed
- ▶ Container to dispose according to the existing law
- ▶ Follow the instructions of use to ensure the safety of the container
- ▶ Use handles to move the container

ADVANTAGES:

- ▶ Lid provided with safe closure device, permanent closure
- ▶ Easy to use and to handle
- ▶ Sharps and cutting objects resistant
- ▶ Handles available
- ▶ Lid provided with needles removal devices
- ▶ Suitable to autoclave (compliant to NFX 30-511 even after sterilization)
- ▶ Maximum filling level indicated
- ▶ Several holders available
- ▶ Irreversible permanent closure